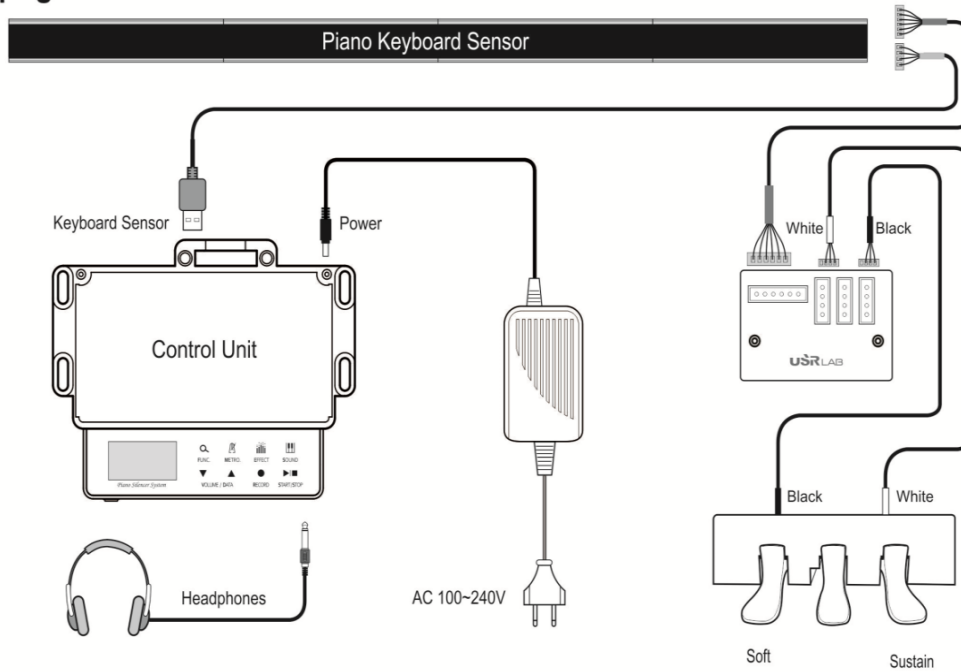


### 3. New FEURICH Silencer Connection Diagram

#### Connection Diagram

##### Upright Piano



##### Grand Piano

